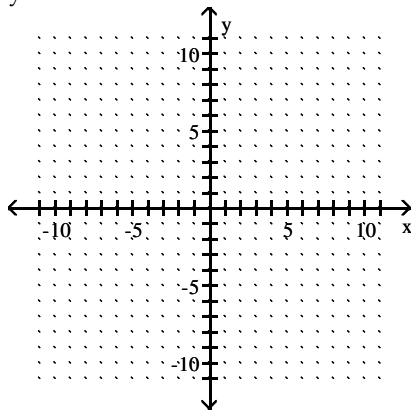


Name _____

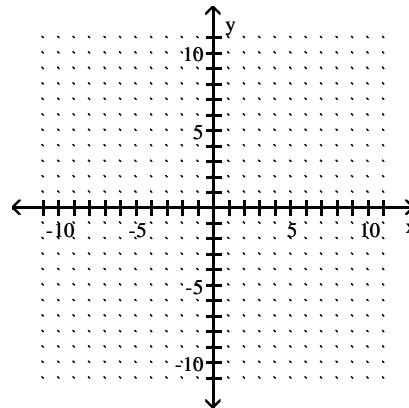
Graph the equation.

1) $y = x^2 + 3$

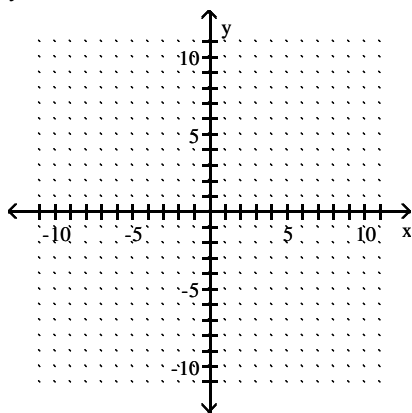


Graph the function.

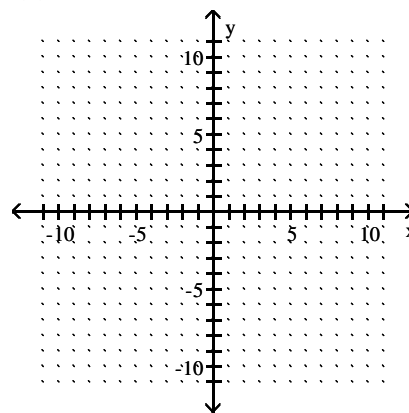
3) $f(x) = 3x^2$



2) $y = x^2 - 4$

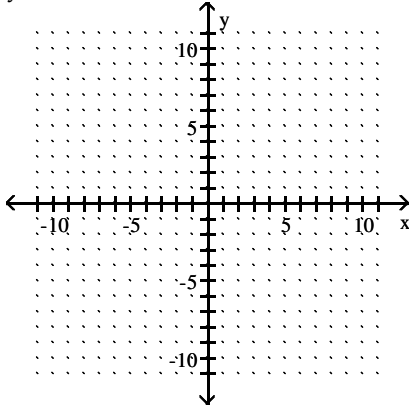


4) $f(x) = 5x^2$

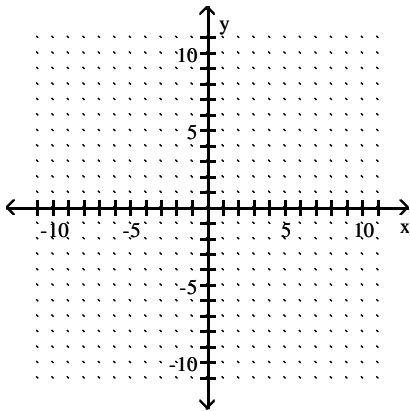


Graph the equation.

5) $y = -x^2 - 2$

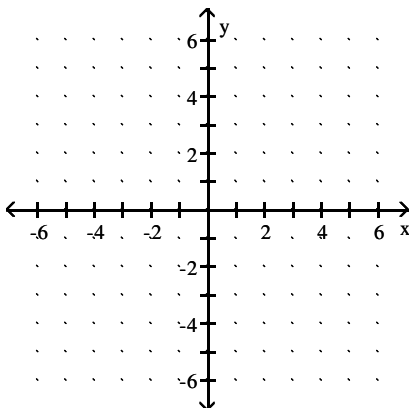


6) $y = \frac{1}{5}x^2$

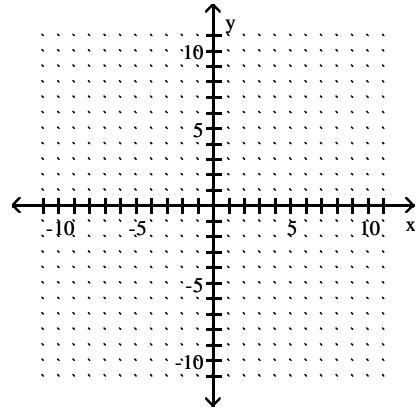


Graph the function.

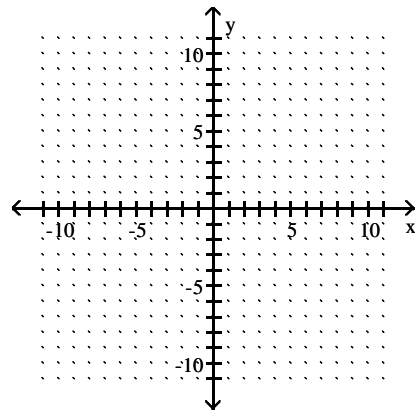
7) $f(x) = \frac{1}{6}x$



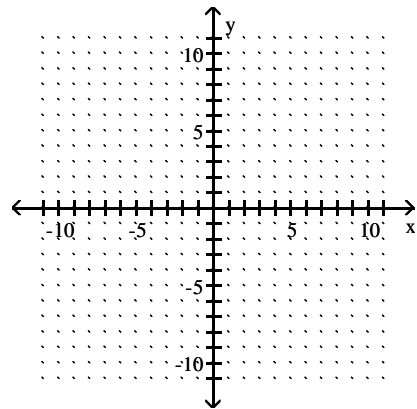
8) $f(x) = |-2 - x|$



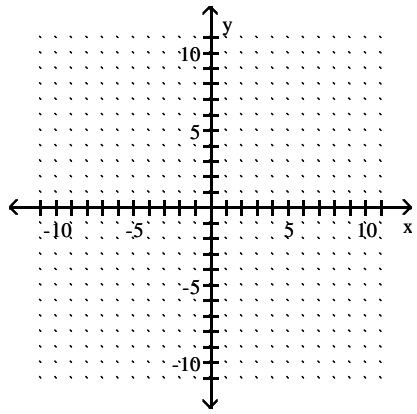
9) $f(x) = |4 - x|$



10) $f(x) = |x| - 6$

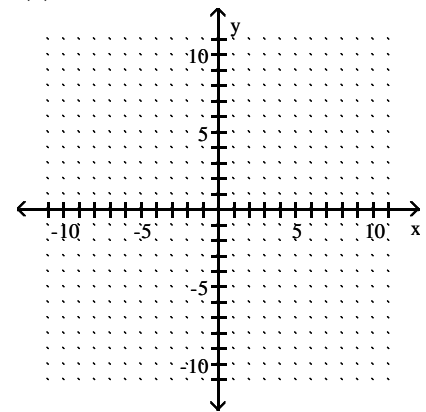


11) $f(x) = |x| - 2$



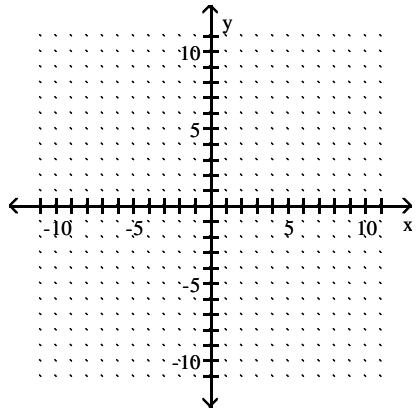
Graph the function.

14) $f(x) = |x| - 7$

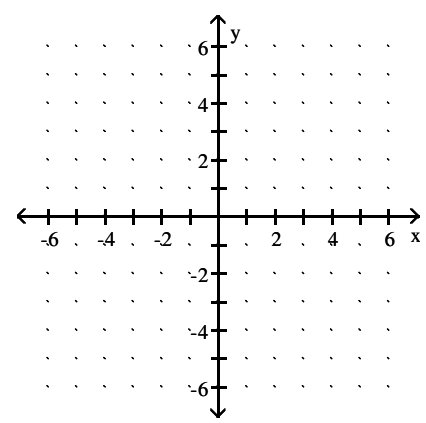


Graph.

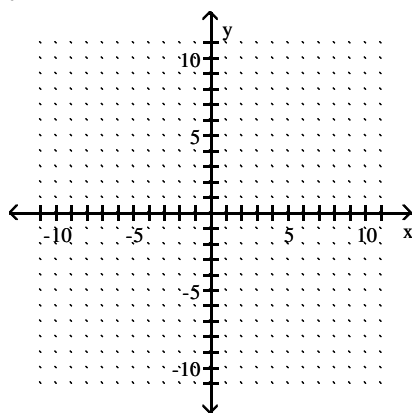
12) $y = 2$



15) $f(x) = \frac{1}{6}x + 3$

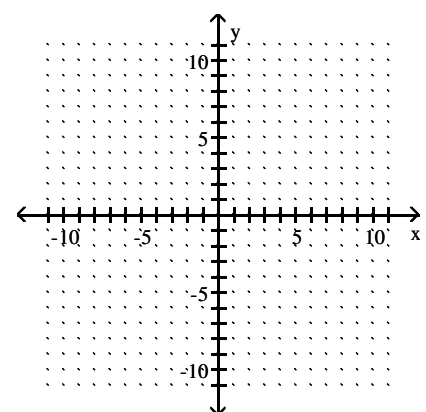


13) $y = -3$

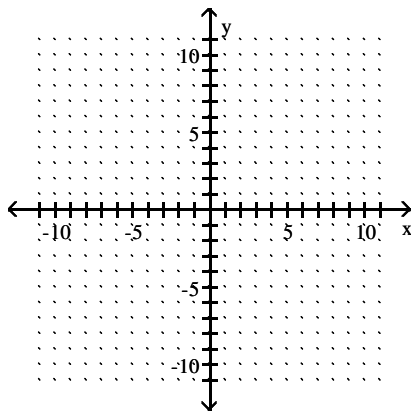


Graph.

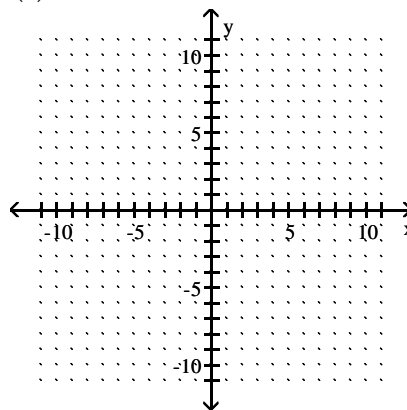
16) $x = -1$



17) $x = -2$

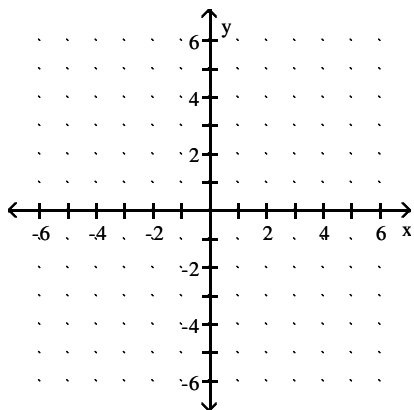


20) $f(x) = -2x^2$

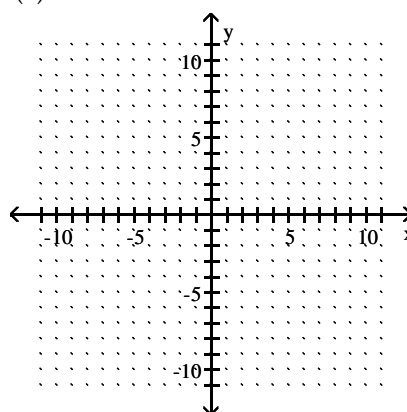


Graph the function.

18) $f(x) = \frac{1}{6}x + 6$



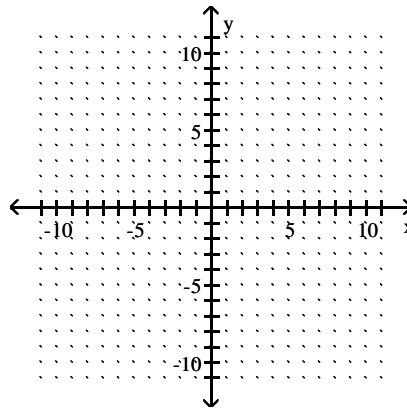
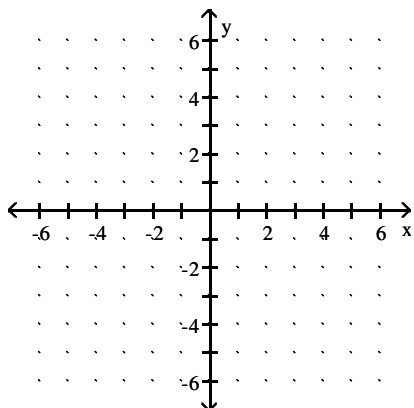
21) $f(x) = |x| - 9$



Graph the equation.

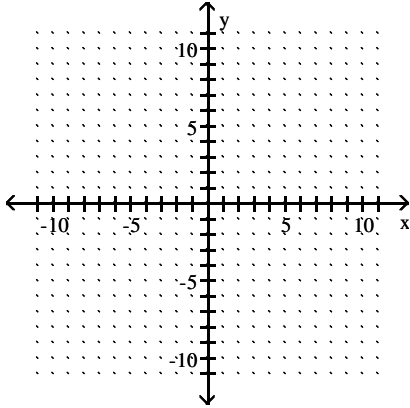
22) $y = x^2 + 5$

19) $f(x) = \frac{1}{4}x - 2$



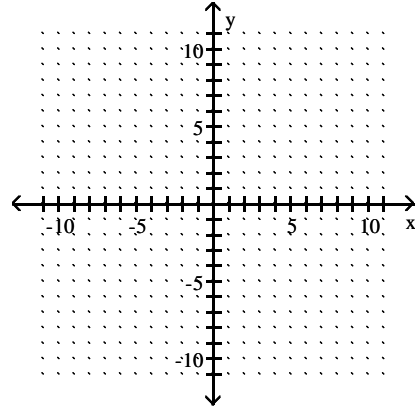
Graph the function.

23) $f(x) = |5 - x|$

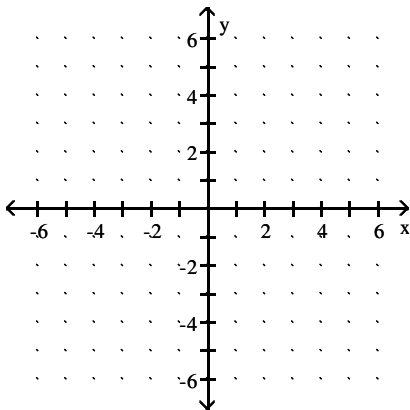


Graph the function.

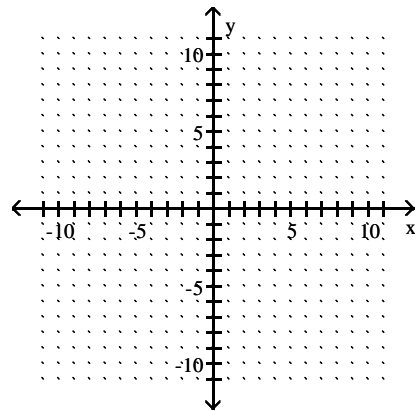
26) $f(x) = 4x^2$



24) $f(x) = \frac{1}{4}x$

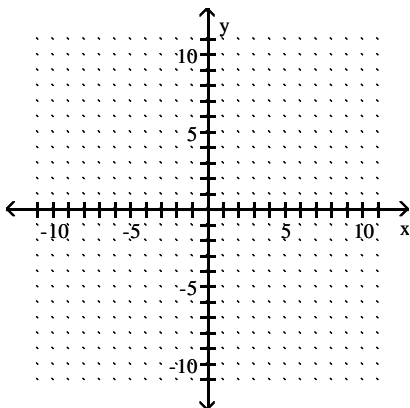


27) $f(x) = |x| - 3$

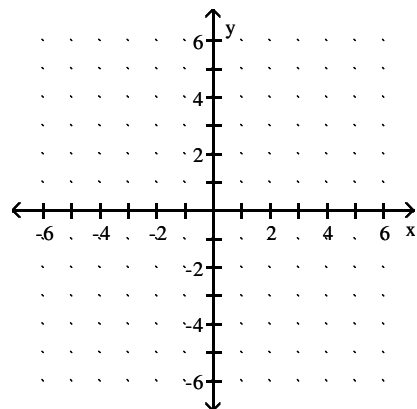


Graph the equation.

25) $y = x^2 + 2$

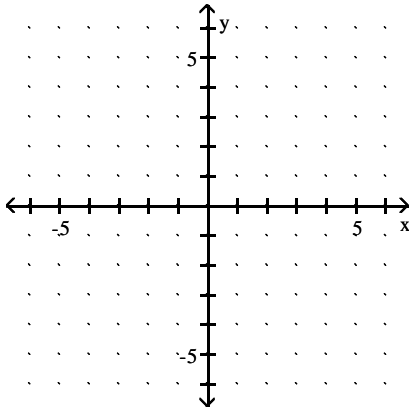


28) $f(x) = \frac{1}{2}x - 2$

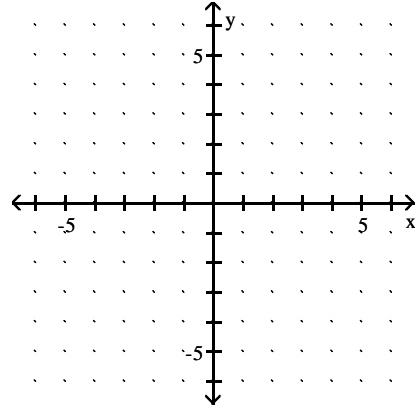


Graph.

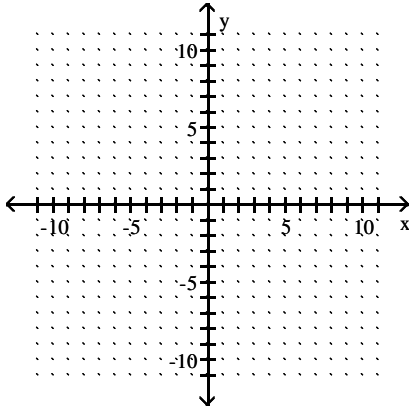
29) $y = \frac{3}{2}$



32) $x = \frac{1}{4}$

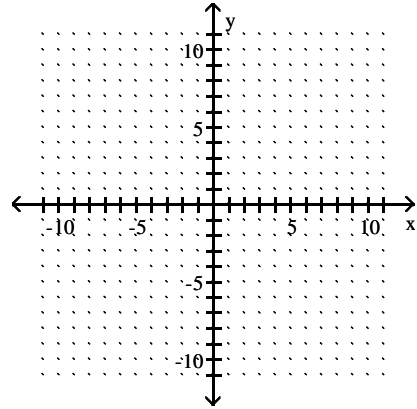


30) $5x + 17 = 0$

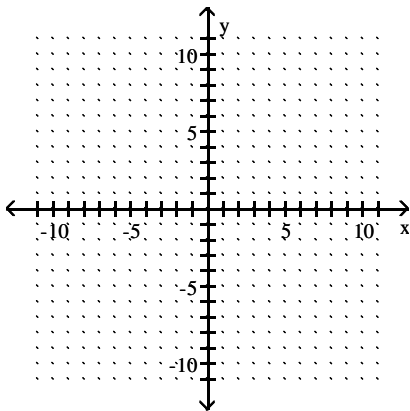


Graph the function.

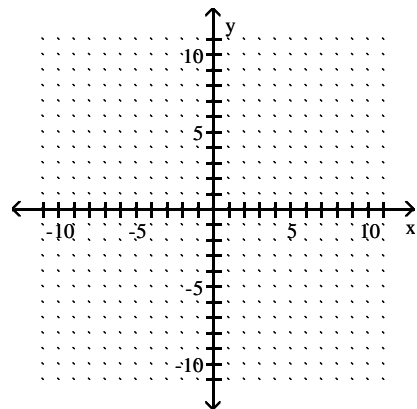
33) $f(x) = -4x^2$



31) $4x - 13 = 0$

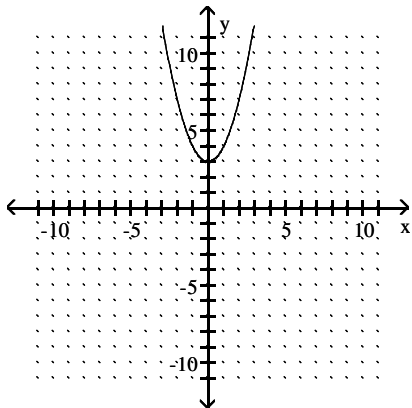


34) $f(x) = |-7 - x|$

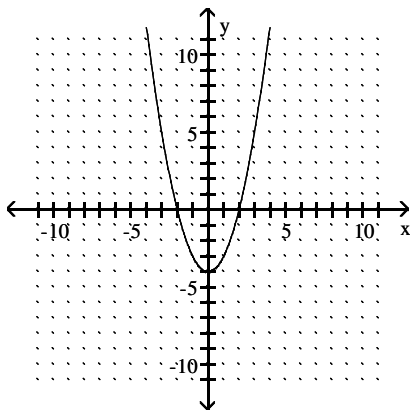


Answer Key
Testname: WS0.1V0

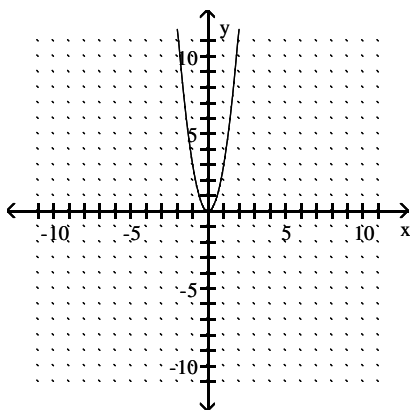
1)



2)

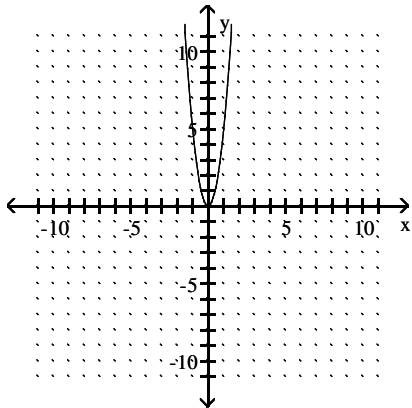


3)

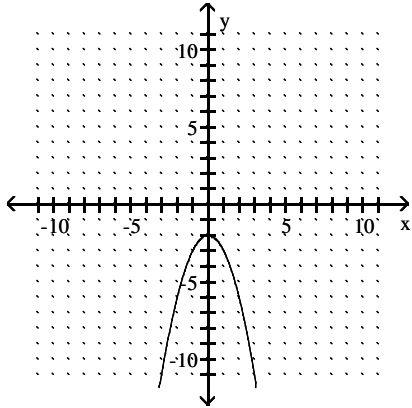


Answer Key
Testname: WS0.1V0

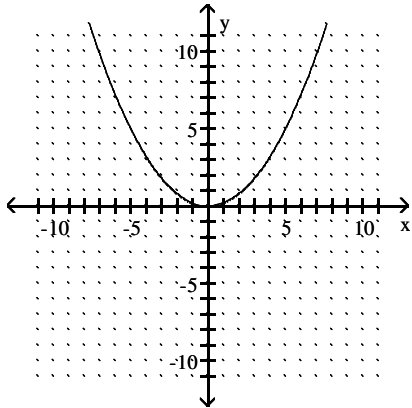
4)



5)

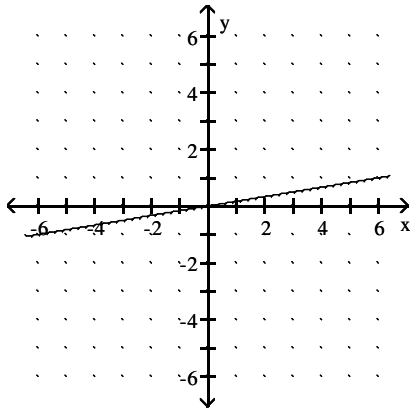


6)

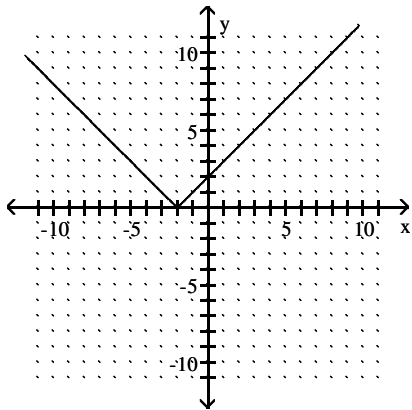


Answer Key
Testname: WS0.1V0

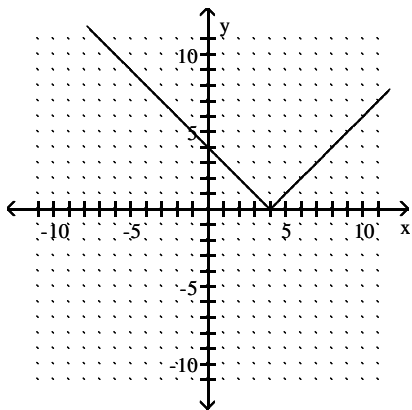
7)



8)

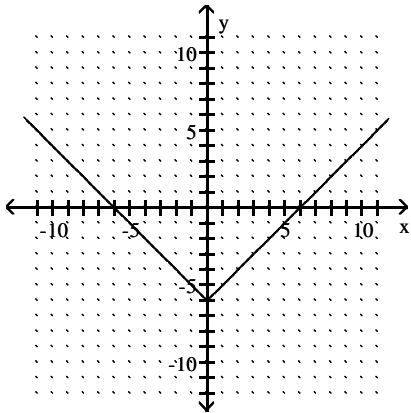


9)

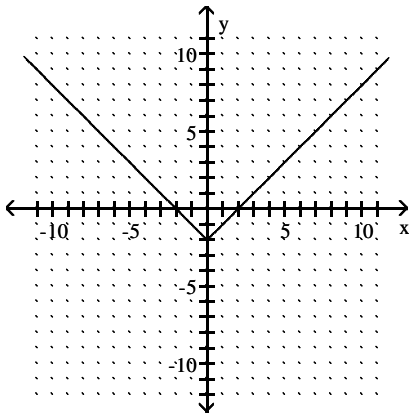


Answer Key
Testname: WS0.1V0

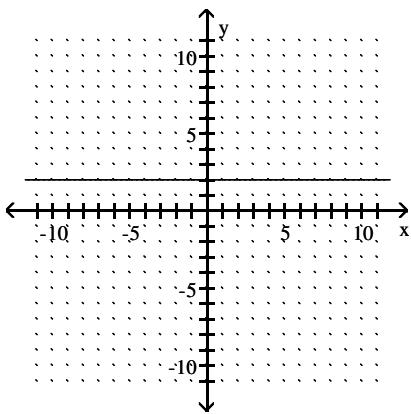
10)



11)

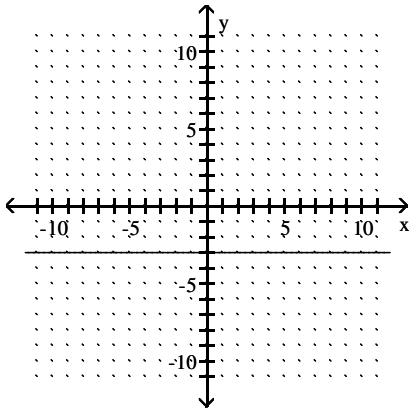


12)

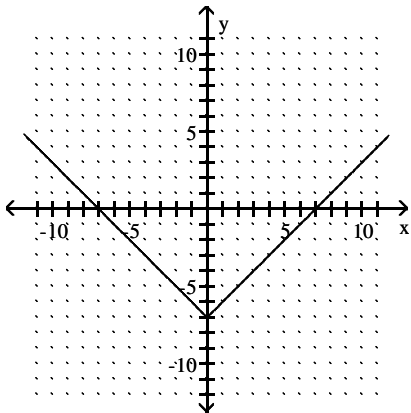


Answer Key
Testname: WS0.1V0

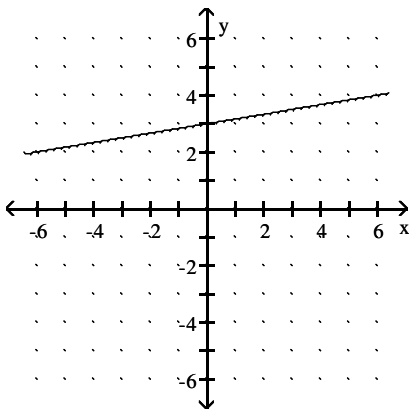
13)



14)

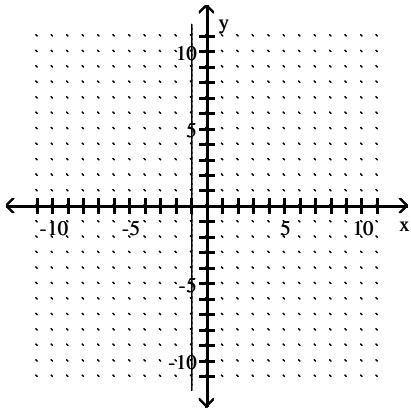


15)

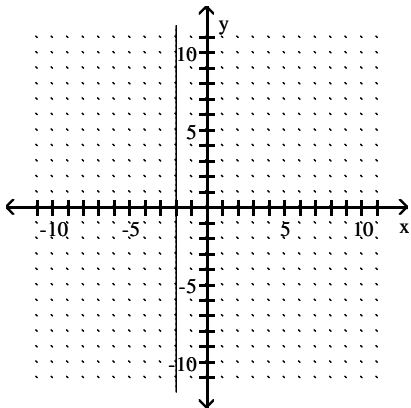


Answer Key
Testname: WS0.1V0

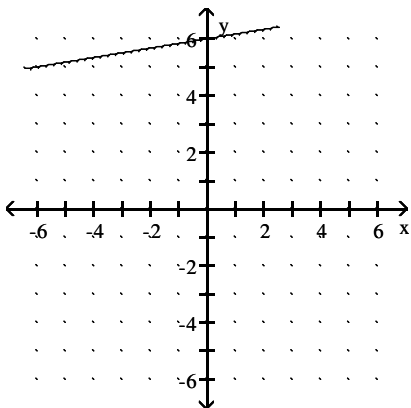
16)



17)

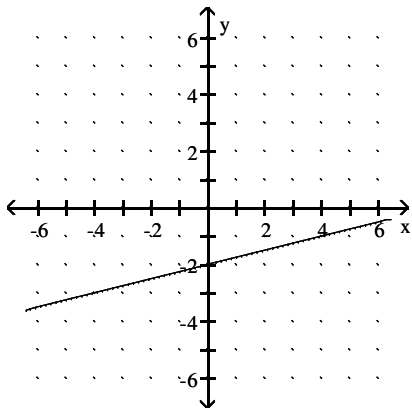


18)

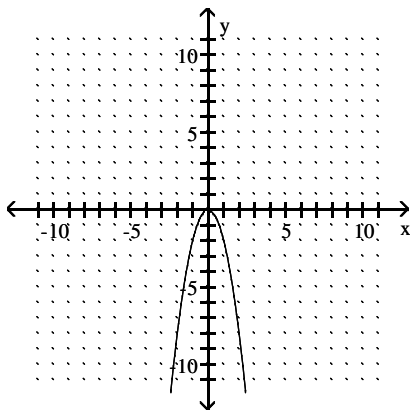


Answer Key
Testname: WS0.1V0

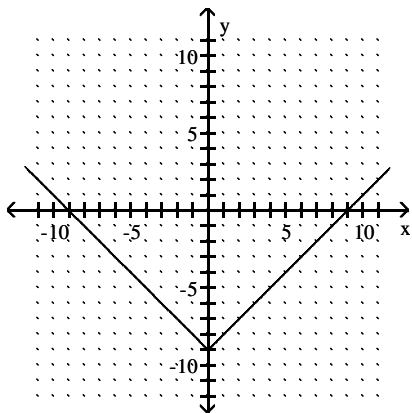
19)



20)

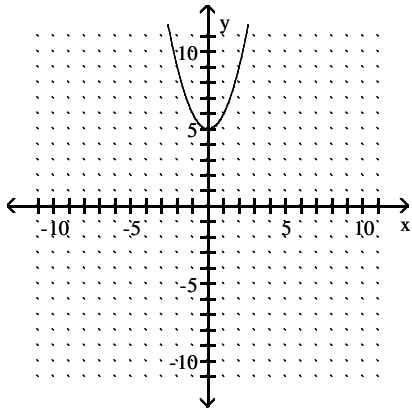


21)

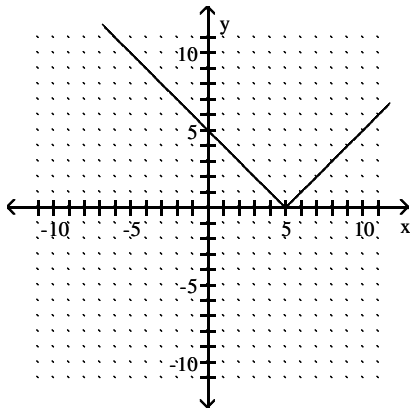


Answer Key
Testname: WS0.1V0

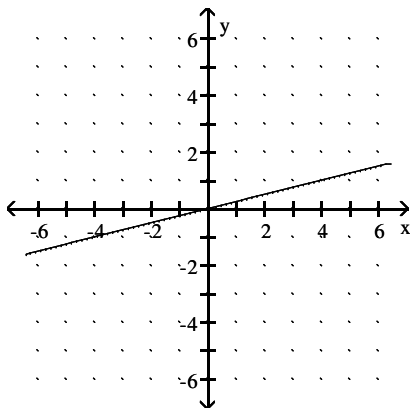
22)



23)

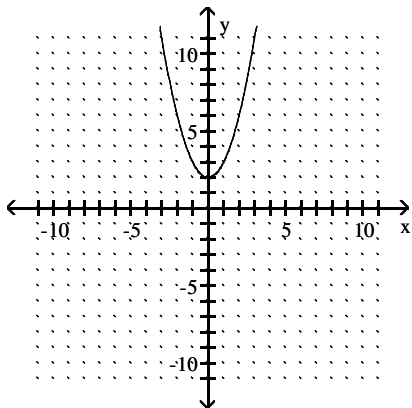


24)

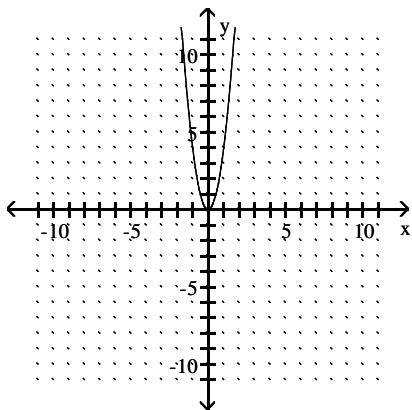


Answer Key
Testname: WS0.1V0

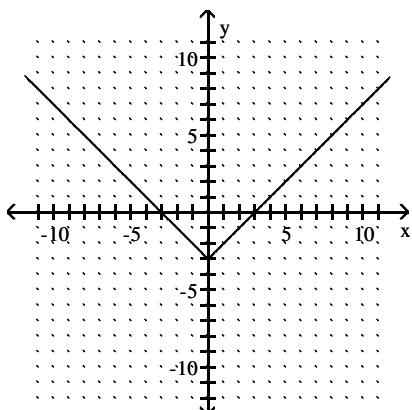
25)



26)

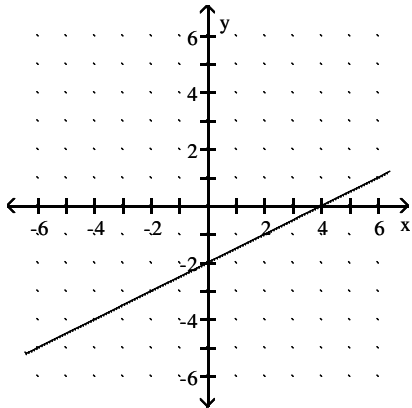


27)

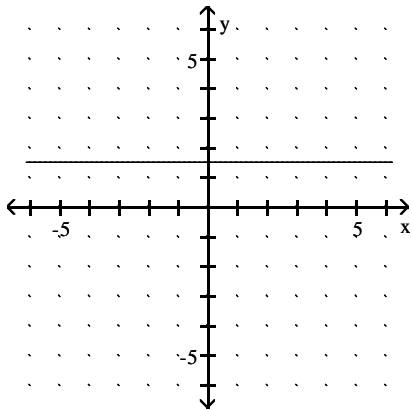


Answer Key
Testname: WS0.1V0

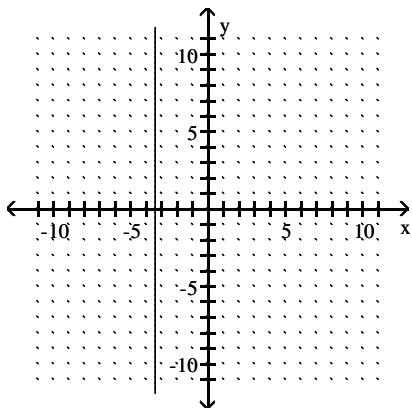
28)



29)

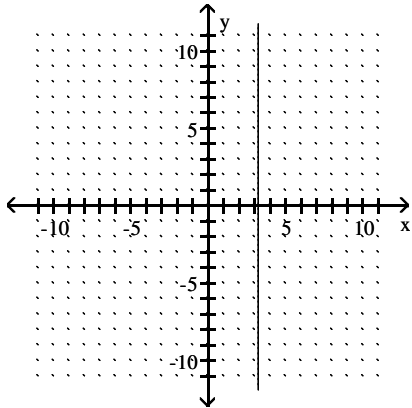


30)

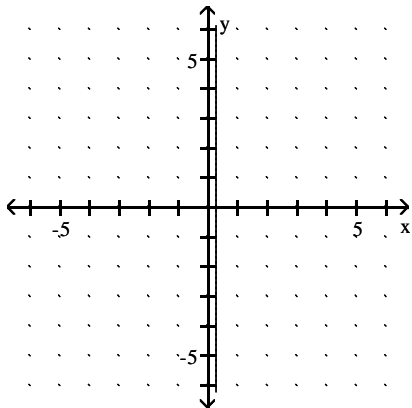


Answer Key
Testname: WS0.1V0

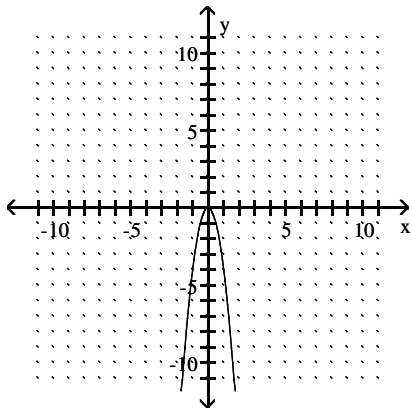
31)



32)



33)



Answer Key

Testname: WS0.1V0

34)

